



Home Embroidery Machine

PARTS REFERENCE LIST

MODEL: PE770

CONFIDENTIAL

©2009 Brother Industries, Ltd.
All rights reserved.

Published: Jul.,2009
Revised: Feb.,2013

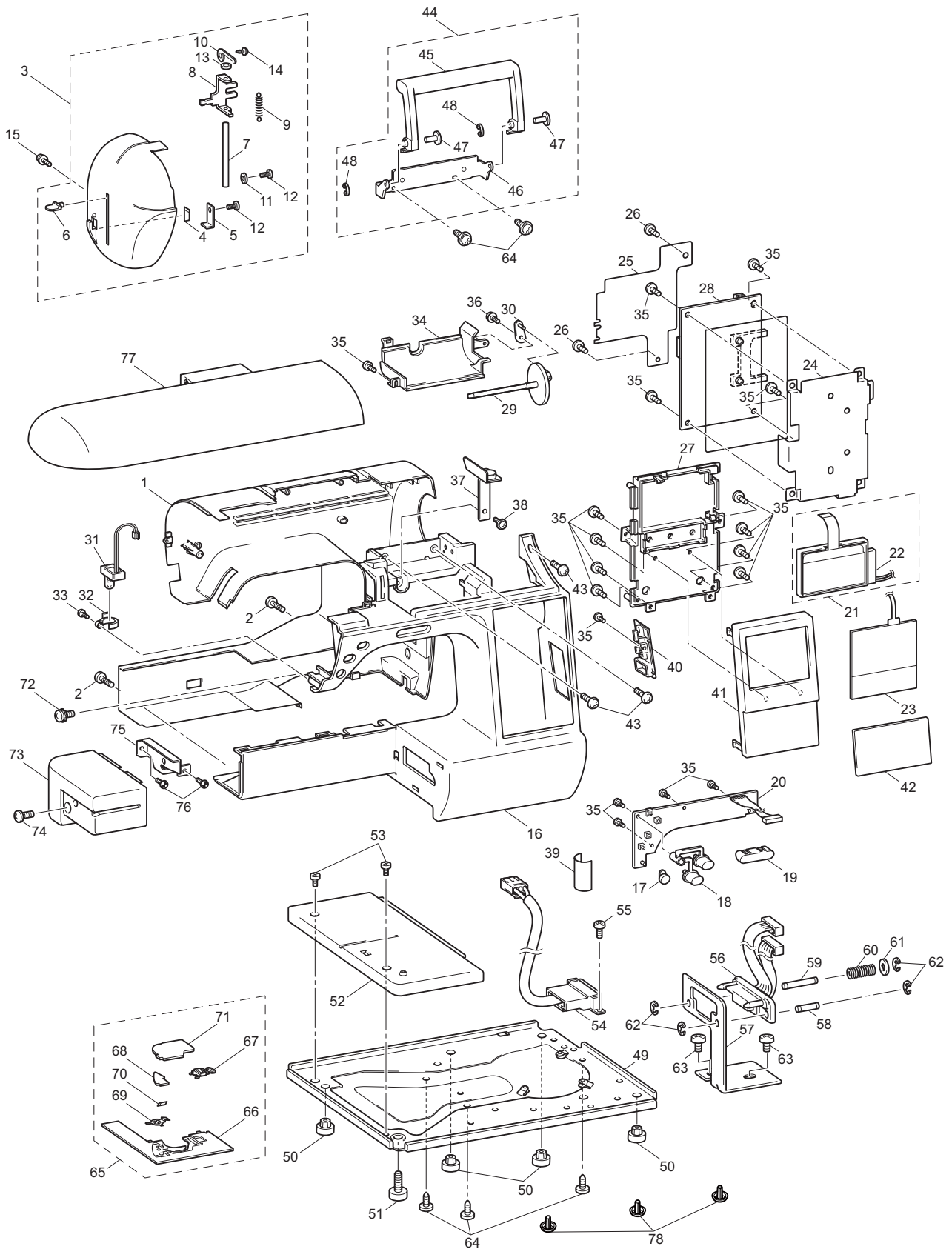
CONTENTS

(1) MAIN FRAME / COVER	2
(2) UPPER SHAFT / NEEDLE BAR / PRESSER FOOT UNIT ...	4
(3) FEED / THREAD CUTTING UNIT	6
(4) LOWER SHAFT / BOBIN WINDING MECHANISM	8
(5) NEEDLE THREADING MECHANISM	10
(6) ELECTRIC PARTS / POWER SUPPLY / MAIN MOTOR UNIT...	12
(7) EMBROIDERY UNIT	14
(8) ACCESSORY PARTS / USER MANUAL / PACKAGE	16
NEEDLE-PRESSER MODULE.....	18
FEED MODULE	20
THREAD CUTTER MODULE	22

Note on parts:

We keep performance parts for this sewing machine for at least 8 years after this model is discontinued. Performance parts are the necessary parts to maintain the function of the sewing machine.

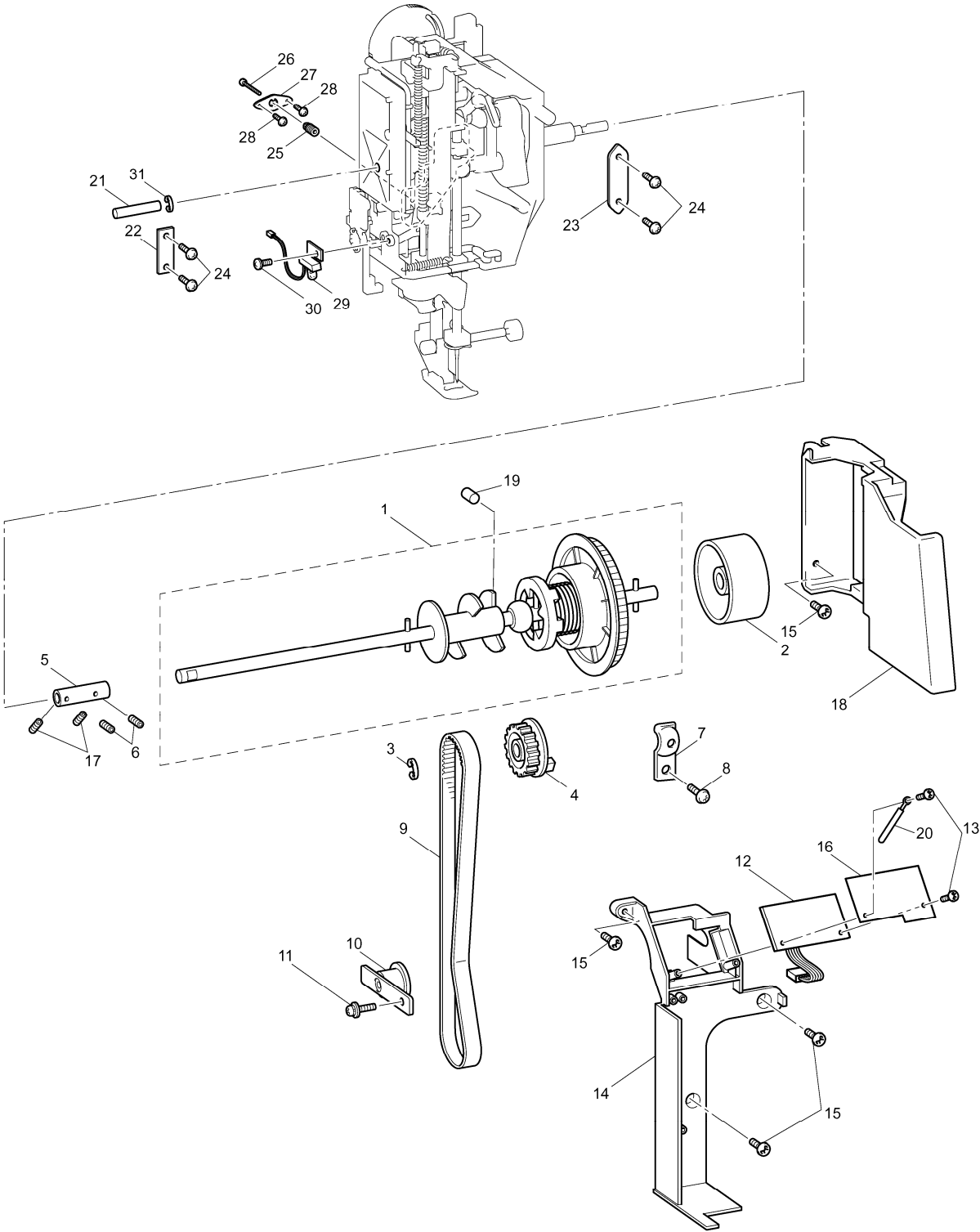
(1) MAIN FRAME / COVER



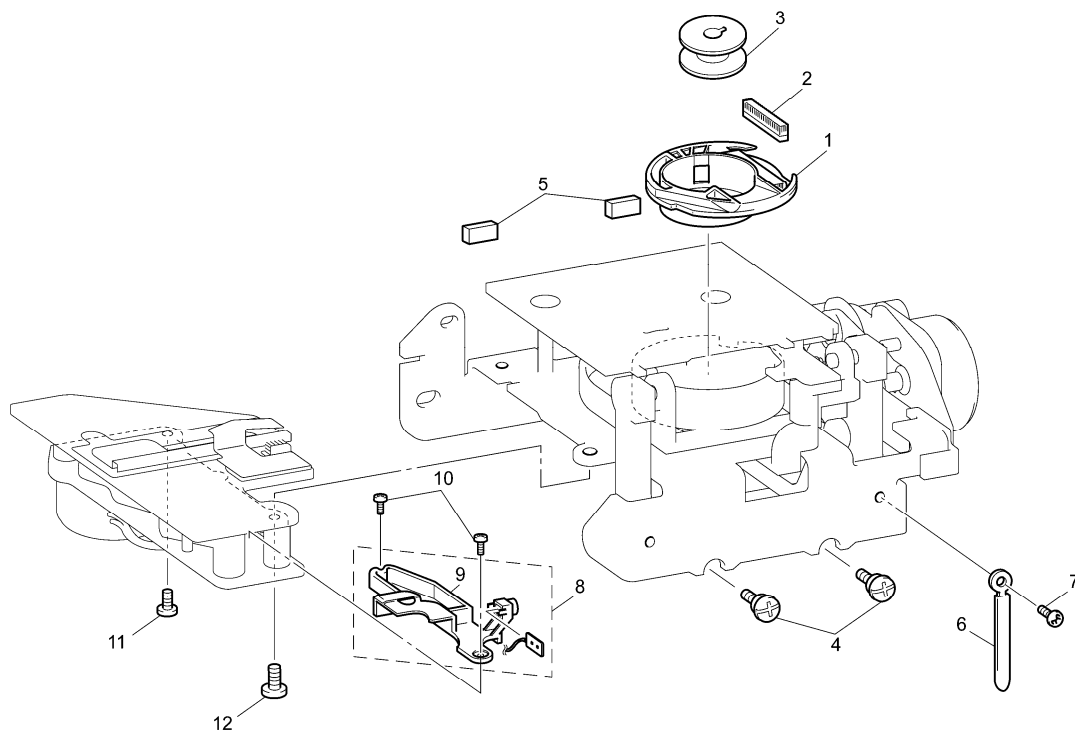
(1) MAIN FRAME / COVER

No.	CODE	NAME	REMARKS	No.	CODE	NAME	REMARKS
1	XD1593051	REAR COVER ASSY		46	XC9696051	HANDLE HOLDER	
2	060400816	SCREW, BIND M4X8		47	XC2350051	HANDLE SHAFT	
3	XD1596251	FACE PLATE	1000031900	48	048040346	RETAINING RING, E4	
4	X80321021	NT LOWER THREAD CUTTER		49	XC6818251	BASE PLATE	1000027025
5	XC9682051	FACE PLATE CUTTER HOLDER		50	XA1805021	BASE RUBBER A	
6	XC9604051	NEEDLE THREAD LEVER KNOB		51	XE1973001	ADJUSTING SCREW ASSY	
7	XA5825051	NEEDLE THREAD LEVER SHAFT		52	XC9589051	BASE PLATE COVER	
8	XC9683051	NEEDLE THREAD LEVER		53	060300516	SCREW, BIND M3X5	
9	138260051	THREAD THROUGH LEVER SPRING		54	XE0358001	INLET ASSY US2 (USA)	
10	XZ0406050	SHAFT PRESSER PLATE			XC4417051	INLET ASSY: F1D-EU (OTHER)	
11	XE5212001	WASHER, PLAIN		55	060400616	SCREW BIND M4X6	
12	138433021	TAPTITE, PAN B M3X6		56	XD0351051	LEAD WIRE ASSY MAIN BODY FCOMB	
13	XC0508020	RUBBER WASHER		57	XD0352151	CONNECTOR HOLDER F-US	1000033868
14	X59629021	TAPTITE, BIND B M3X10		58	XD0353051	ES PIN F-A	
15	XC7568051	SCREW PAN (S/P WASHER) M4X14		59	XD0945051	ES PIN F-B	
16	XD1599151	FRONT COVER		60	XD0967051	SPRING, COMPRESSION	
17	XC9600152	SS-BUTTON	1000030510	61	XC2514021	FEED BAR SPACER	
18	XC9601052	REVERSE BUTTON		62	048020346	RETAINING RING E2	
19	XD1601051	SV COVER		63	062400612	SCREW PAN M4X6	
20	XD1602151	PCB ASSY SS F-EM	1000034159	64	X57908021	TAPTITE, BIND S M4X10	
21	XF2349001	LCD SUPPLY ASSY	1000028578	65	XD0354251	NEEDLE PLATE B ASSY	
22	XD0334051	BACK LIGHT PCB ASSY		66	XD0355251	NEEDLE PLATE B	
23	XD0338057	ASSY: TOUCH PANEL		67	XC7371022	SLIDE BUTTON	
24	XD0340051	BOARD PLATE		68	XD1666052	CUTTER COVER	
25	XD0331051	BOARD PLATE UPPER		69	XD1461051	NEEDLE PLATE COVER SPRING	
26	060300516	SCREW BIND M3X5		70	X80321021	NT LOWER THREAD CUTTER	
27	XD0341051	MAIN PCB HOLDER		71	XD1645021	NEEDLE PLATE COVER SUPPLY ASSY	
28	XE6293001	MAIN PCB SUPPLY ASSY-B		72	XC4433051	SCREW, PAN (T WASHER) M3X6	
29	XA1786053	SPOOL PIN		73	XC9588251	FREE ARM COVER	
30	XC9690051	SPOOL PIN HOLDER ASSY		74	XC7566051	SCREW, PAN (S/P WASHER) M4X8	
31	XE6360001	PCB UNIT: LED LAMP-FR		75	XC9746151	FREE ARM PLATE	
32	XC7081051	LAMP HOLDER SUPPORTER		76	060400616	SCREW BIND M4X6	
33	X57372051	TAPTITE, PAN P M2.6X8		77	XD0356070	TOP COVER	
34	XC9591051	THREAD BOBBIN COVER		78	XF5650001	SCREW CAP	1000033868
35	136681021	TAPTITE, BIND B M3X8					
36	087311015	TAPTITE, CUP B M3X10					
37	XC9693451	BOBBIN WINDER GUIDE ASSY					
38	XA8390021	SCREW					
39	XZ0143150	SSVR INSULATION SHEET					
40	XE6312001	CARD COVER					
41	XD0347151	INDICATION PLATE					
42	XD0349165	PANEL PLATE					
43	085411416	TAPTITE, BIND B M4X14					
44	XC9695151	HANDLE ASSY					
45	XC2348151	HANDLE					

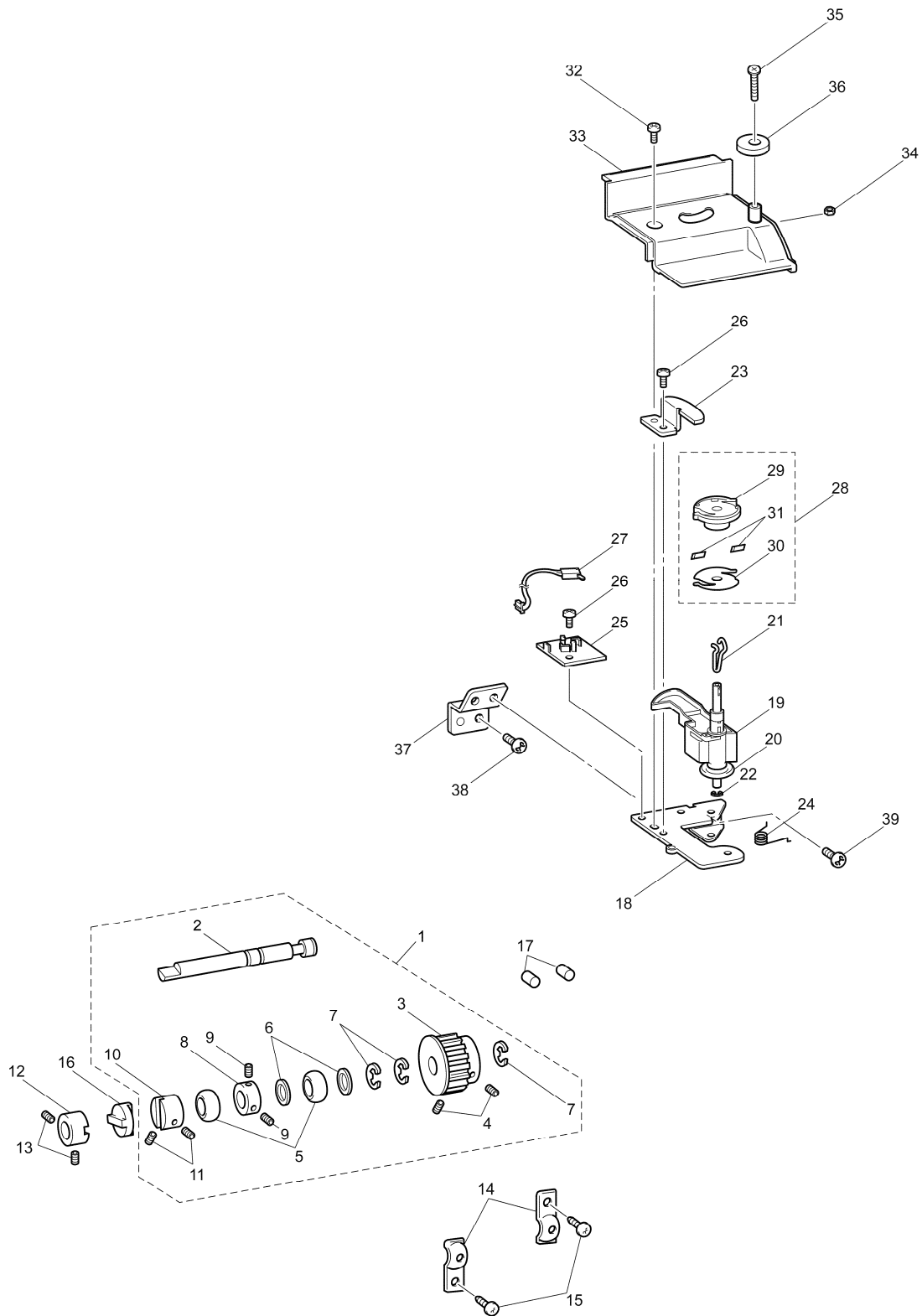
(2) UPPER SHAFT / NEEDLE BAR / PRESSER FOOT UNIT



(3) FEED / THREAD CUTTING UNIT



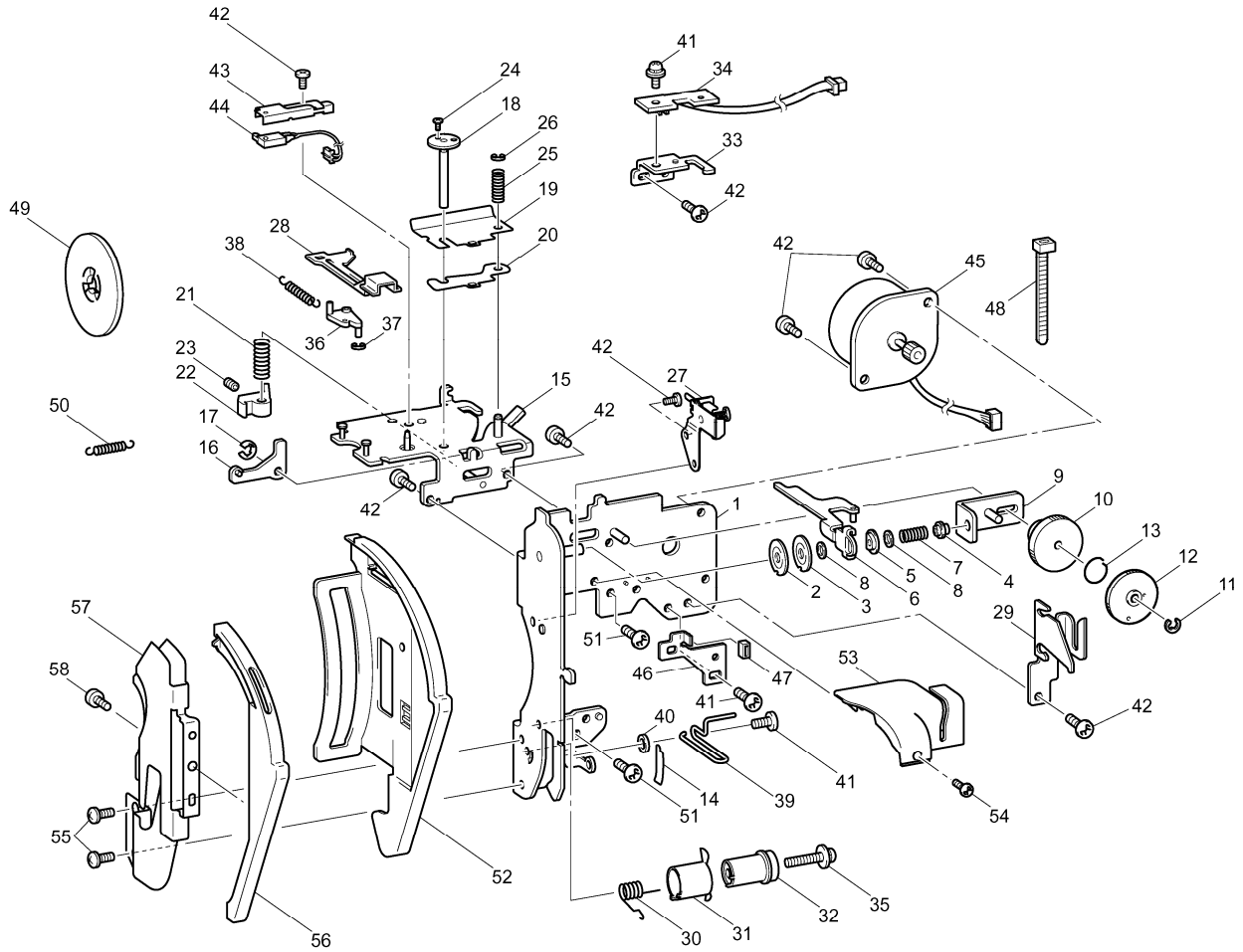
(4) LOWER SHAFT / BOBIN WINDING MECHANISM



(4) LOWER SHAFT / BOBIN WINDING MECHANISM

No.	CODE	NAME	REMARKS
LOWER SHAFT MECHANISM			
1	XC2599021	LOWER SHAFT A ASSY	
2	XC2600050	LOWER SHAFT A	
3	XC4943021	TIMING PULLEY D	
4	014500532	SET SCREW, SOCKET (CP) M5X5	
5	X52664020	LOWER SHAFT BUSHING	
6	X51383020	WASHER, THRUST	
7	048060346	RETAINING RING, E6	
8	137768121	SET SCREW COLLAR	
9	014400432	SET SCREW, SOCKET (CP) M4X4	
10	XC2602021	JOINT	
11	012500532	SET SCREW, SOCKET (FT) M5X5	
12	XC2602021	JOINT	
13	012500532	SET SCREW, SOCKET (FT) M5X5	
14	132421021	BUSHING PRESSER	
15	X57908021	TAPTITE, BIND S M4X10	
16	XC2603050	DISK	
17	XC3183051	FELT	
BOBIN WINDING MECHANISM			
18	XC2605051	BOBBIN WINDER ASSEMBLY HOLDER	
19	XC2606251	BW SHAFT HOLDER ASSEMBLY	
20	X55238021	RUBBER RING	
21	XZ5039001	BOBBIN WINDER SHAFT SPRING	
22	048050343	RETAINING RING, E5	
23	XA2862021	BOBBIN WINDER SHAFT STOPPER	
24	X59939021	BOBBIN WINDER SPRING	
25	XC2614021	SW ADJUST PLATE	
26	060300616	SCREW, BIND M3X6	
27	XC2612051	SW ASSY: BW-F	
28	XC9116021	BOBBIN BASE ASSY	1000034911
29	XC2616051	BOBBIN BASE	
30	XA5877021	BOBBIN THREAD CUTTER HOLDER	
31	X80321021	NT LOWER THREAD CUTTER	
32	XA8390021	SCREW	
33	XC9590051	BOBBIN WINDER COVER	
34	021300205	NUT 2 M3	
35	0A4302506	SCREW PAN (S/P WASHER) M3X25	
36	XC4517151	BOBBIN PRESSER	
37	XC2615051	BW HOLDER SUPPORTER	
38	X57908021	TAPTITE, BIND S M4X10	
39	060400816	SCREW, BIND M4X8	

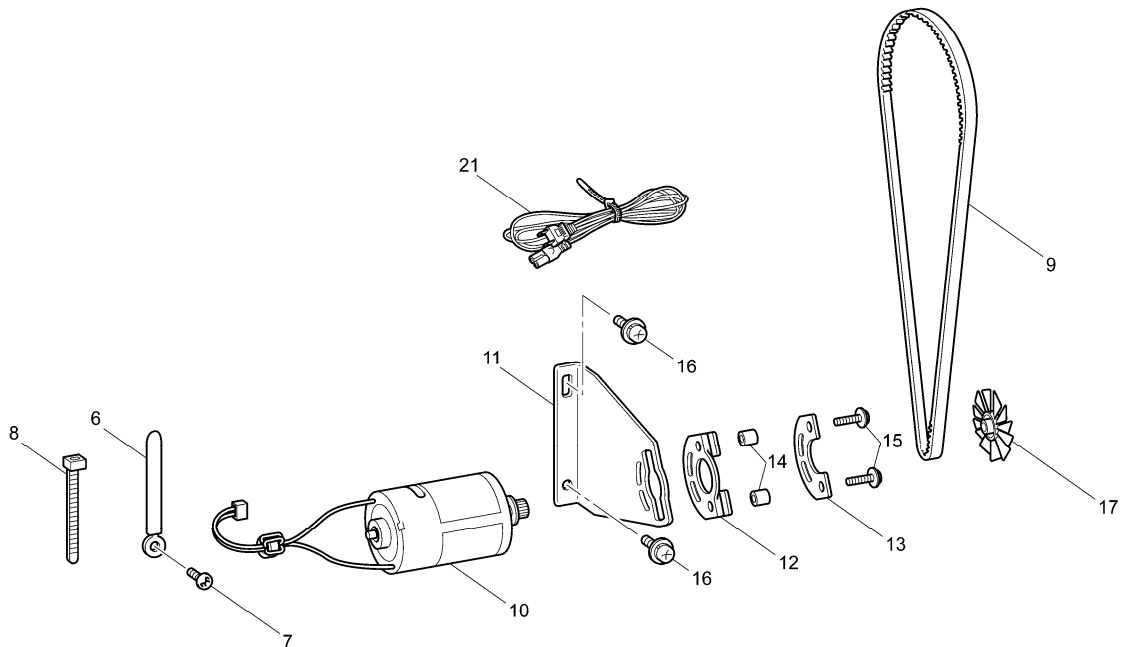
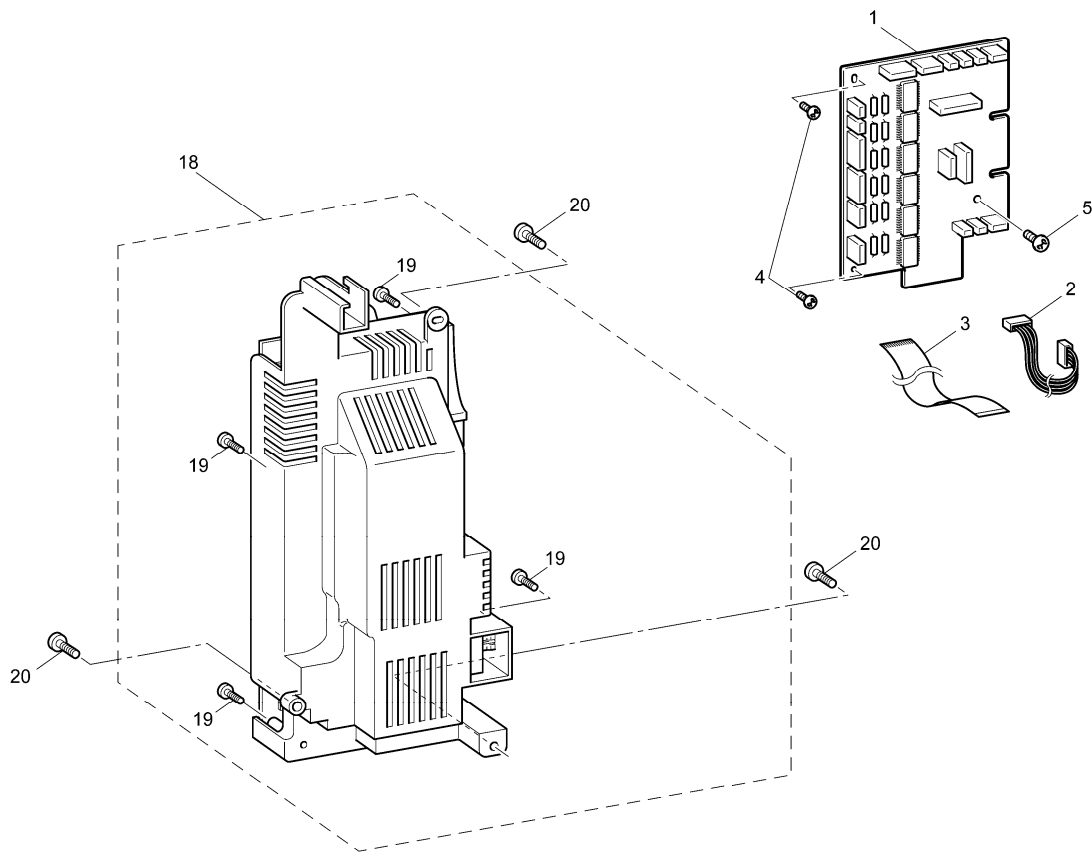
(5) NEEDLE THREADING MECHANISM



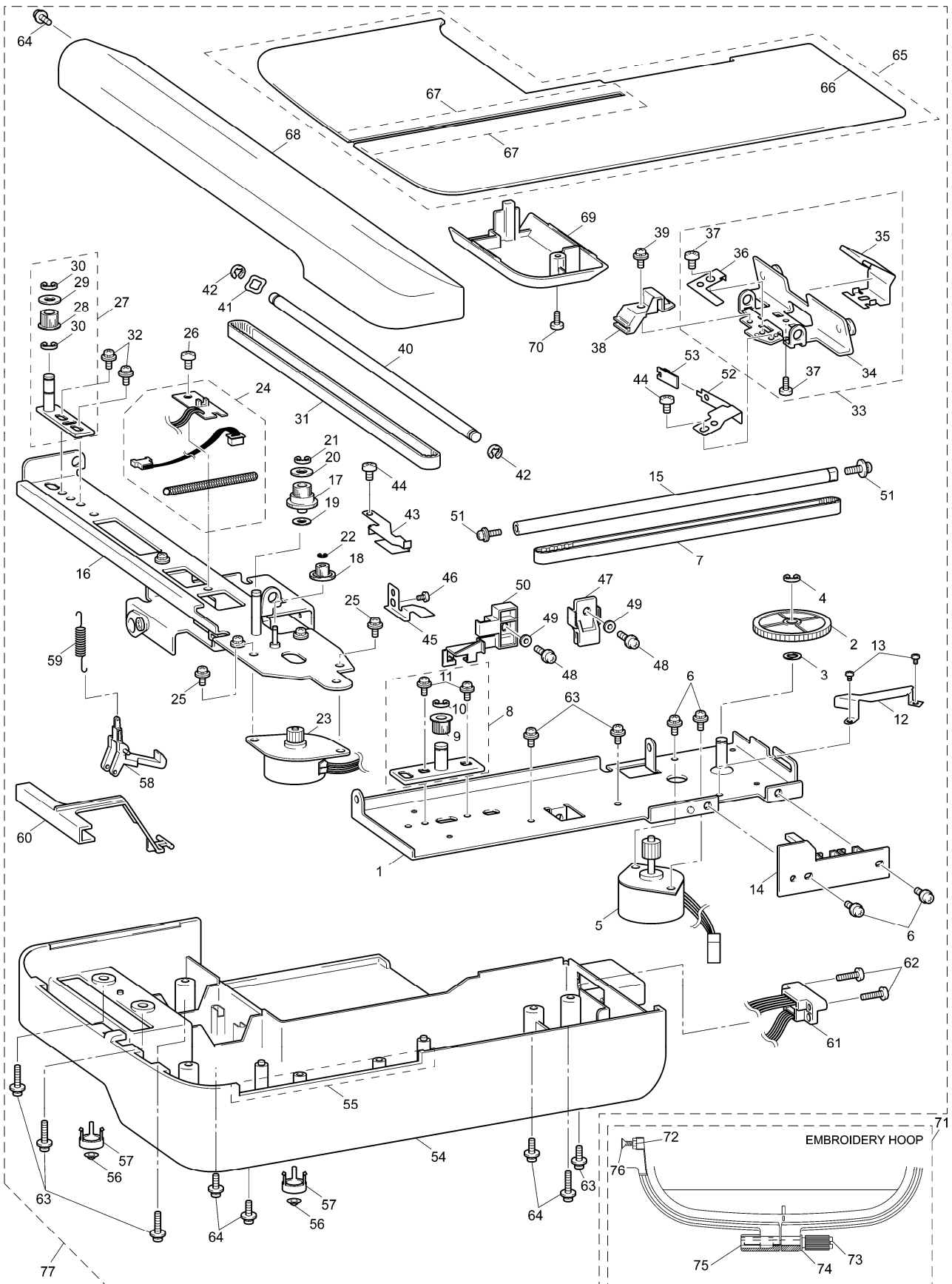
(5) NEEDLE THREADING MECHANISM

No.	CODE	NAME	REMARKS	No.	CODE	NAME	REMARKS
1	XC2624351	THREAD GUARD ASSEMBLY		45	XC4407021	MOTOR, PULSE: AT SMJ35-4840-D	
2	XA0083121	TENSION DISC A		46	XC4484051	INITIAL ADJUSTING PLATE	
3	XC2626121	TENSION DISC B		47	XC3253051	RUBBER	
4	XC3437051	TENSION ADJUSTING SCREW		48	X53169020	BAND	
5	XA1388021	TENSION DISC WASHER		49	XE1372001	SPOOL PRESSER C	
6	XC2627051	TENSION RELEASE PLATE ASSY		50	XA9787051	SPRING	
7	XA9900051	THREAD TENSIONSPRING		51	085411016	TAPTITE, BIND B M4X10	
8	XD0573021	WASHER		52	XD0384151	THREAD GUARD COVER	
9	XA9562051	TENSION PLATE ASSY		53	XD0386051	FRONT THREAD GUARD COVER	
10	XZ0171051	THREAD TENSIONCAM		54	060300416	SCREW, BIND M3X4	
11	048030346	RETAINING RING, E3		55	XC7564021	SCREW, PAN (S/P WASHER) M3X6	
12	XZ0170051	THREAD TENSION GEAR COVER		56	XD0389151	THREAD GUIDE COVER	1000031869
13	X56323021	SPRING		57	XC9745151	THREAD GUIDE	
14	XA9935050	SPRING TAPE		58	X59629021	TAPTITE, BIND B M3X10	
15	XC2635151	TENSION RELEASE HOLDER ASSY					
16	XA9571051	TENSION RELEASERLINK					
17	048030346	RETAINING RING, E3					
18	XC2638151	TENSION PRESSURE ASSY					
19	XA9575051	TENSION PLATE					
20	XA9576051	SPACER					
21	XA9577051	SPRING					
22	XC2640051	TENSION RELEASE CAM					
23	012300432	SET SCREW, SOCKET (FT) M3X4					
24	X57363051	POWER LOCK 2X3					
25	X57605051	SPRING					
26	048020346	RETAINING RING, E2					
27	XC2644051	PLATE ASSEMBLY					
28	XC9740051	THREAD GUIDE SHUTTER					
29	XC2749051	THREAD GUIDE					
30	XC6957121	THREAD TAKE UP SPRING					
31	XE5731001	THREAD CUTTING SHUTTER					
32	XD0377151	THREAD CATCHING SPRING CASE FE					
33	XD0379051	THREAD SENSOR HOLDER FE					
34	XD0380051	UPTHREAD PCB ASSY FCOM					
35	0A4302006	SCREW PAN (S/P WASHER) M3X20					
36	XC2649150	THREAD GUIDE SHUTTER LINK	1000025968				
37	048030346	RETAINING RING, E3					
38	XC2650151	SPRING					
39	XD0383050	THREAD GUIDE WIRE FE					
40	XA9996051	WASHER, PLAIN					
41	XC7564021	SCREW, PAN (S/P WASHER) M3X6					
42	060300416	SCREW, BIND M3X4					
43	XC2641051	PRESSER SWITCH HOLDER					
44	XC2642051	SW ASSY: PF-F					

(6) ELECTRIC PARTS / POWER SUPPLY / MAIN MOTOR UNIT



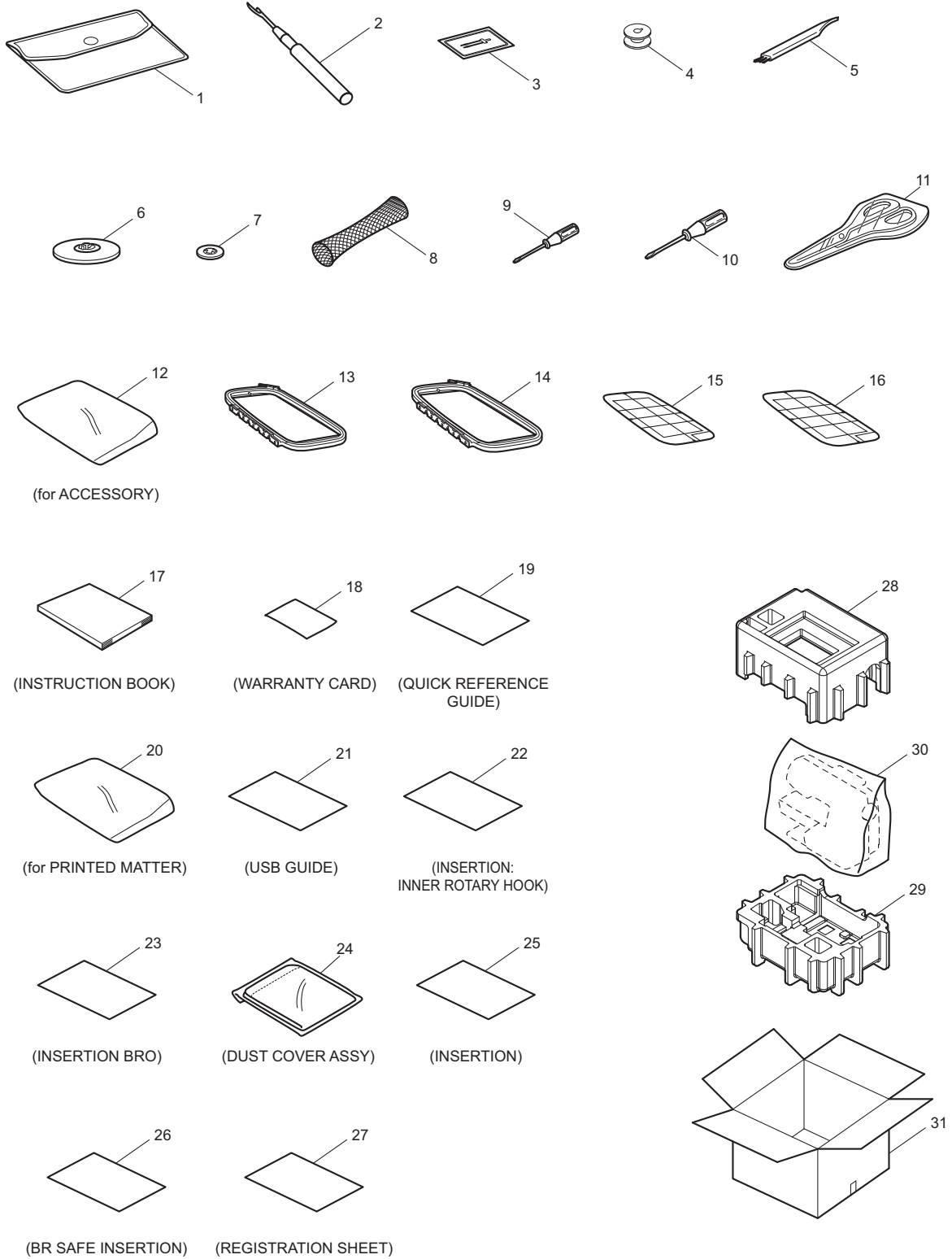
(7) EMBROIDERY UNIT



(7) EMBROIDERY UNIT

No.	CODE	NAME	REMARKS	No.	CODE	NAME	REMARKS
1	XD0413051	MAIN FRAME SUB ASSY		45	XD0447050	X INITIAL SHUTTER	
2	XD1350050	X DRIVING GEAR PULLEY		46	060400616	SCREW BIND M4X6	
3	XE2199001	WASHER SPRING		47	XA2144350	X BELT PRESSER	
4	048040346	RETAINING RING E4		48	XC7567051	SCREW, PAN (S/P WASHER) M4X12	
5	XD0415151	X PULSE MOTOR SMJ40-4888-B		49	027040226	WASHER EX TOOTH 4	
6	XA8390021	SCREW		50	XD0448150	X SLIDER	
7	XA2123051	TIMING BELT 62S2M494		51	XC7566051	SCREW, PAN (S/P WASHER) M4X8	
8	XD0418051	X TENSION PULLEY ASSY		52	XD0768051	Y GUIDE SHAFT PRESSER PLATE	
9	XA2127050	TENSION PULLEY		53	XD0769050	Y GUIDE SHAFT PRESSER	
10	048040346	RETAINING RING E4		54	XD0452051	ES BASE COVER	
11	XC7566051	SCREW, PAN (S/P WASHER) M4X8		55	XD0453051	GROOVE COVER	
12	XD0421050	OIL GUARD PLATE		56	X59853020	RUBBER CUSHION	
13	060300416	SCREW BIND M3X4		57	XC8094051	RUBBER CUSHION COVER	
14	XD0422051	EMB RELAY PCB ASSY		58	XD0454051	LOCK FINGER	
15	XA2128051	X GUIDE SHAFT		59	XC8096051	SPRING	
16	XD0426151	X CARRIAGE ASSY		60	XD0455051	LOCK RELEASE LEVER	
17	XD1351050	Y DRIVING GEAR PULLEY		61	XD0456051	LEAD WIRE ASSY EMB UNIT FCOMB	
18	XD1161050	IDLE GEAR		62	085301616	TAPTITE BIND P M3X16	
19	XE2199001	WASHER SPRING		63	087411416	TAPTITE CUP B M4X14	
20	025060235	WASHER PLAIN M 6		64	XC7566051	SCREW, PAN (S/P WASHER) M4X8	
21	048040346	RETAINING RING E4		65	XD0457051	ES MAIN COVER ASSY	
22	048030346	RETAINING RING E3		66	XD0458051	ES MAIN COVER	
23	XD0432151	Y PULSE MOTOR SMJ35-4823-F		67	XD0453051	GROOVE COVER	
24	XE3234001	LEAD WIRE SUPPLY ASSY: SLEEVE		68	XD0461051	X CARRIAGE COVER	
25	XA8390021	SCREW		69	XD0463051	YPM COVER	
26	060300416	SCREW BIND M3X4		70	085301017	TAPTITE BIND P M3X10	
27	XD0438051	Y TENSION PULLEY ASSY		71	XE4586001	EF26 985 EMBROIDERY FRAME LARG	
28	XA2127050	TENSION PULLEY		72	021300106	NUT 1 M3	
29	025060235	WASHER PLAIN M 6		73	XE4590001	THUMB SCREW	
30	048040346	RETAINING RING E4		74	X59422001	WASHER	
31	XC8041051	TIMING BELT 40S2M530		75	XA6982001	NUT	
32	XC7566051	SCREW, PAN (S/P WASHER) M4X8		76	061300606	SCREW FLAT M3X6	
33	XD0441151	Y CARRIAGE ASSY					
34	XD0442051	Y CARRIAGE PLATE SUB ASSY			X61231021	BAG 400X500H	
35	XD0444151	HOOP FIXED SPRING			XC2208001	BAG 240X330H	
36	XD0445050	Y INITIAL SHUTTER		77	XE0095001	EMBROIDERY PACKING ASSY	
37	060300416	SCREW BIND M3X4					
38	XA4710250	Y SLIDER					
39	XA8390021	SCREW, PAN (S/P WASHER) M3X7					
40	XA2139051	Y GUIDE SHAFT					
41	103810022	WASHER, WAVE SPRING					
42	048040346	RETAINING RING E4					
43	XE0391001	CODE GUIDE ASSY					
44	060300416	SCREW BIND M3X4					

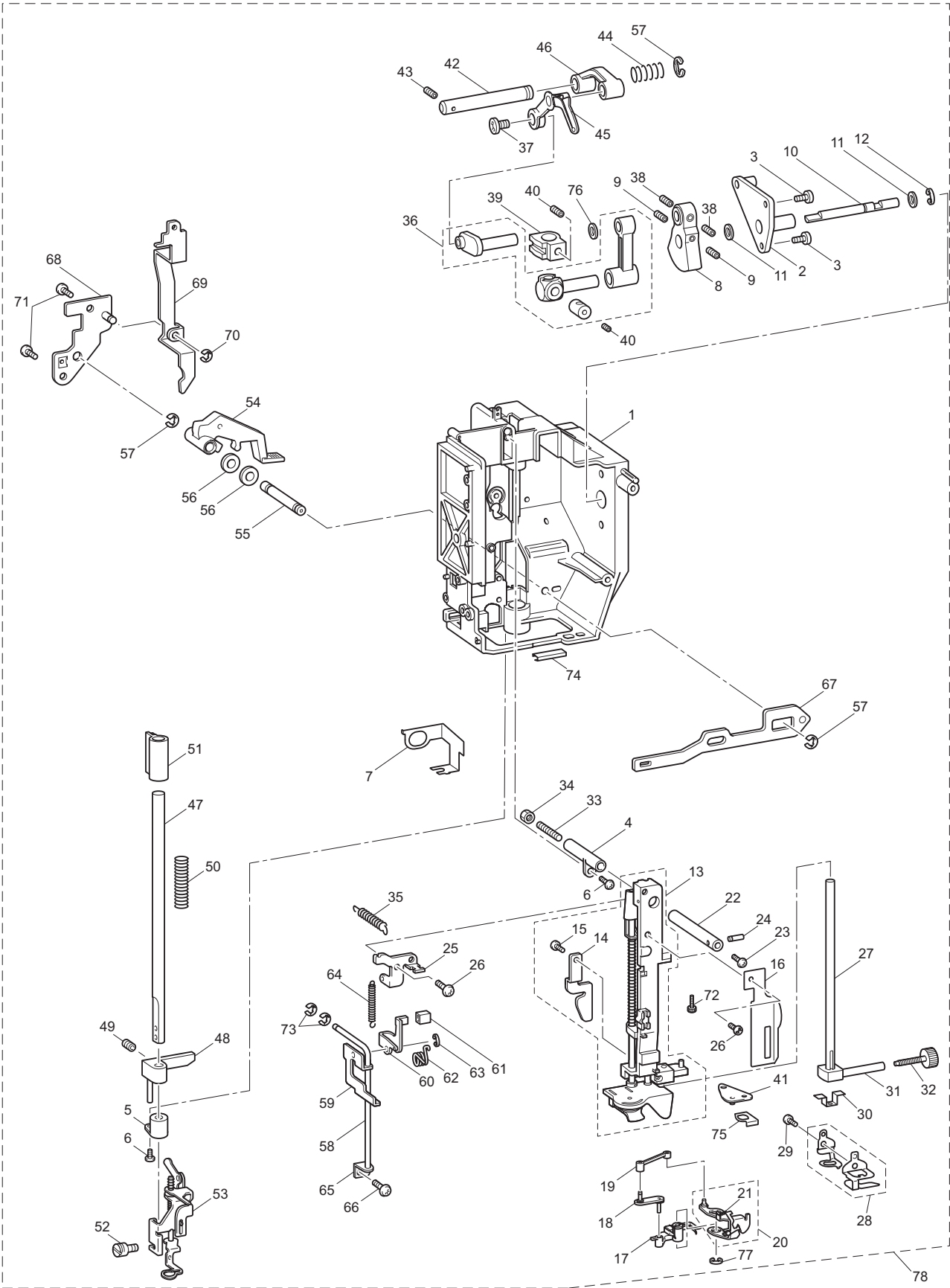
(8) ACCESSORY PARTS / USER MANUAL / PACKAGE



(8) ACCESSORY PARTS / USER MANUAL / PACKAGE

No.	CODE	NAME	REMARKS	No.	CODE	NAME	REMARKS
ACCESSORY PARTS				PACKAGE			
1	XC4487021	ACCESSORY BAG		28	XD1630350	STYROFORM TOP	
2	XZ5082001	SEAM RIPPER		29	XD1631050	STYROFORM BOTTOM	
3	X59535051	NEEDLE SET		30	X60439121	BAG 630X630T	
4	X52800120	BOBBIN		31	XF4062001	MASTER CARTON MODEL:PE-770 (AUS&NZL)	1000030441
5	X59476021	CLEANING BRUSH			XE6403001	MASTER CARTON MODEL: PE-770 (OTHER)	
6	130012024	SPOOL PRESSER A					
7	130013124	SPOOL PRESSER B					
8	XA5523020	NET					
9	X55468051	SCREW DRIVER S					
10	XC8349021	SCREW DRIVER					
11	XC1807121	SCISSORS					
12	XA2214021	BAG, 150X200					
13	XA2171101	EF25 985 EMBROIDERY FRAME M (EXCEPT: USA)					
14	XE4586001	EF26 985 EMBROIDERY FRAME LARG					
15	XD0655051	EMBROIDERY SHEET M ASSY F (EXCEPT: USA)					
16	XD0464051	EMBROIDERY SHEET L ASSY F					
USER MANUAL / OTHER PARTS							
17	XD1628121	INSTRUCTION BOOK ENG (English)					
	XD1668121	INSTRUCTION BOOK SPA (Spanish)					
	XE4534201	INSTRUCTION BOOK BR (Portuguese)	1000027794				
18	XF2705101	PREMIUM WARRANTY FOR US (USA)	1000034011				
19	XD1629021	QUICK REFERENCE GUIDE					
20	130800021	BAG, 230X310H					
21	XE7340001	USB GUIDE BR (BRA)					
	XE6374001	USB GUIDE (OTHER)					
22	XE8340001	INSERTION (for INNER ROTARY HOOK & INNER ROTARY HOOK BRACKET: USA)					
	XE8541001	INSERTION (for INNER ROTARY HOOK & INNER ROTARY HOOK BRACKET: OTHER)					
23	XE8716001	INSERTION BRO					
24	XZ5004021	DUST COVER ASSY					
25	XE9391001	INSERTION	1000024971				
	XF3999101	INSERTION FOR AC POWER	1000032938				
26	XF0726001	BR SAFE INSERTION (BRA)	1000025726				
27	XE9639001	REGISTRATION SHEET (USA)	1000032853				

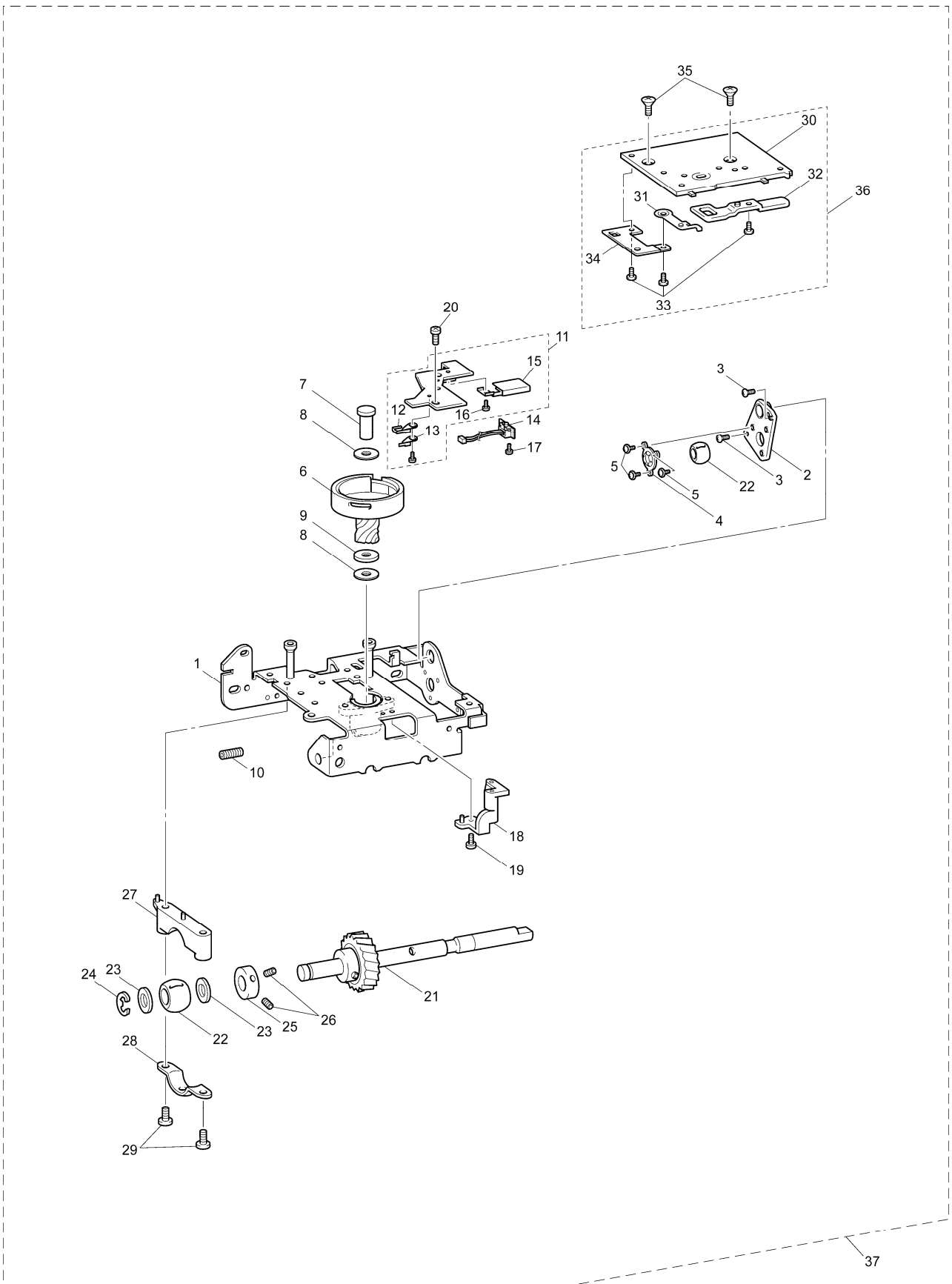
NEEDLE-PRESSER MODULE



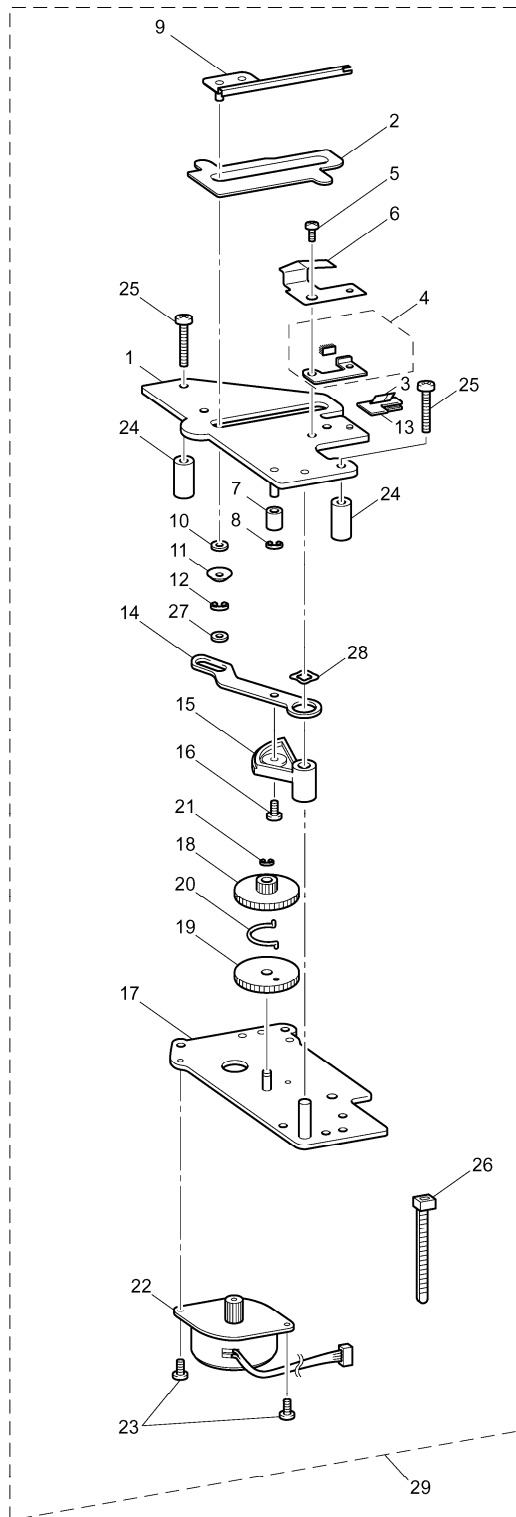
NEEDLE-PRESSER MODULE

No.	CODE	NAME	REMARKS	No.	CODE	NAME	REMARKS
1	XE0017101	UPPER UNIT HOLDER		45	XF3584101	THREAD TAKE-UP LEVER ASSY	1000035182
2	XC2395221	SHAFT BUSHING ASSEMBLY		46	XC2443020	THREAD TAKE-UP LEVER LINK	
3	0A5401405	SCREW, PAN (S/P WASHER) M4X14		47	XC2444021	PRESSER BAR	
4	XC2398020	SHAFT BUSHING A		48	XC2445021	PRESSER BAR CLAMP ASSY	
5	XC2399021	PRESSER BAR BUSHING		49	014501032	SET SCREW, SOCKET (CP) M5X10	
6	085310815	TAPTITE, BIND B M3X8		50	XC2448021	SPRING	
7	XC5362020	PLATE SPRING		51	XC2449021	PRESSER SPRING SUPPORTER	
8	XC2400021	THREAD TAKE-UP COUNTER WEIGHT		52	132730122	TIGHTENING SCREW 3.57	
9	012500532	SET SCREW, SOCKET (FT) M5X5		53	XD0474151	EMBROIDERY PRESSER ASSEMBLY	
10	XC2401021	UNIT SHAFT		54	XC9725051	PRESSER FOOT LIFTER	
11	132434020	WASHER		55	XC2452021	PRESSER LIFT SHAFT	
12	048060346	RETAINING RING, E6		56	XA1860120	WASHER	
13	XC9716451	NEEDLE BAR SUPPORTER ASSY	1000032390	57	048040346	RETAINING RING, E4	
14	XC9908150	HOOK RELEASE PLATE		58	XC2453021	LEVER GUIDE SHAFT	
15	060260516	SCREW, BIND M2.6X5		59	XC2455021	LEVER A ASSY	
16	XZ0417050	GUARD PLATE		60	XC2458021	LEVER B	
17	XD1550351	THREADER HOOK ASSY	1000028587	61	XC2459020	CAP	
18	XD1546051	LINK A ASSY		62	XC2460021	TORSION SPRING	
19	XD1548151	LINK B		63	048030343	RETAINING RING, E3	
20	XC9613121	THREAD GUIDE ASSY		64	XC2461021	SPRING	
21	XC9616051	SPRING		65	XC2462021	LEVER PRESSER PLATE	
22	XC2419021	SHAFT		66	138433021	TAPTITE, PAN B M3X6	
23	000020416	SCREW, BIND M2X4		67	XC2491121	THREAD RELEASER ASSY	
24	XC2420020	SHAFT		68	XC2498021	ADJUSTING PLATE ASSY	
25	XC2421121	PLATE		69	XC2501121	TENSION RELEASER C	
26	060300516	SCREW, BIND M3X5		70	048030346	RETAINING RING, E3	
27	XC2423021	NEEDLE BAR		71	XC3588021	GIZA TITE 4X12	
28	XE7727201	N/B THREAD GUIDE SUPPLY ASSY	1000027848	72	XC3037021	SCREW3X10	
29	X53053052	SCREW SM2.38		73	048020346	RETAINING RING, E2	
30	XC2426020	NEEDLE THREAD PLATE		74	XC3034020	THREAD GUIDE PLATE	
31	XC2427051	NEEDLE BLOCK		75	XD1916050	UPPER UNIT SUPPORT PLATE	
32	XZ0388251	NEEDLE CLAMP SCREW		76	X53330020	WASHER	
33	014401232	SET SCREW, SOCKET (FT) M4X12		77	048025346	RETAINING RING, E2.5	1000032390
34	X56851021	LOCK NUT					
35	XC2429021	SPRING		78	XD1974751	NEEDLE SUPPLY UNIT ASSY U30	1000032526
36	XF1088001	NEEDLE BAR CRANK R SUPPLY ASSY	1000026452				
37	132051022	SCREW, FLAT SM3.57-40X7 L					
38	012500532	SET SCREW, SOCKET (FT) M5X5					
39	XC2434021	NEEDLE THREAD BLOCK					
40	012400432	SET SCREW, SOCKET (FT) M4X4					
41	XD1612051	NEEDLE HOLDER GUIDE ASSY					
42	XC2440021	SHAFT					
43	014300532	SET SCREW, SOCKET (CP) M3X5					
44	XC2441021	SPRING					

FEED MODULE



THREAD CUTTER MODULE



brother®

08G09HF885U41